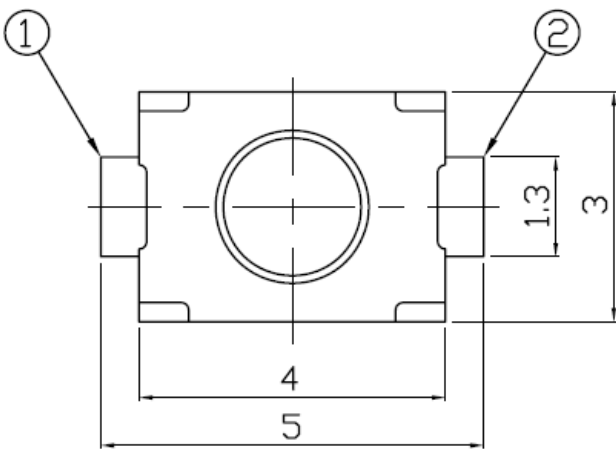
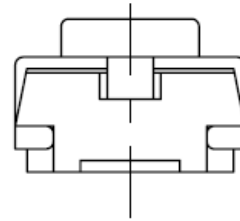
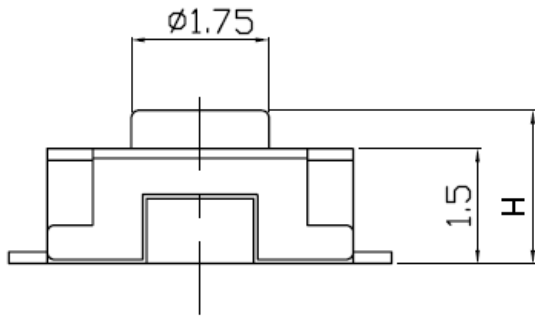
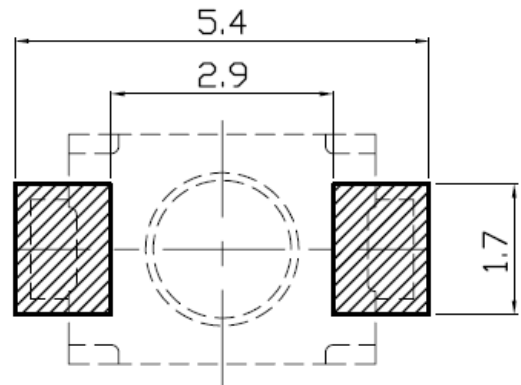


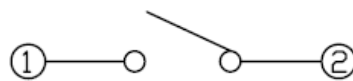
DIMENSIONS



P.C.B MOUNTING PATTERN DIMENSION
THE FOLLOWING SOLDERING PATTERNS ARE RECOMMENDS FOR REFLOW SOLDERING



CIRCUIT DIAGRAM



NOTES :

- 1.RATING : 50mA 12V DC
- 2.CONTACT RESISTANCE : 100mΩ MAX
- 3.STROKE : 0.15±0.1 mm
- 4.OPERATING FORCE : N=160±50gf R=250±50gf
- 5.OPERATING LIFE :100,000 CYCLES

TS37M-D□-PF	7.0
TS37M-C□-PF	4.0
TS37M-B□-PF	2.5
TS37M-A□-PF	2.0
TS37M-□-PF	1.8
MODEL NO.	H(mm)



銓基電子股份有限公司
ROKI ELECTRONICS CO., LTD.

PART NAME : TACT SWITCH		SCALE :
PART NO : TS37M-□□-PF series		UNIT : mm
TOLERANCE : ±0.3 mm		DESIGN : R02